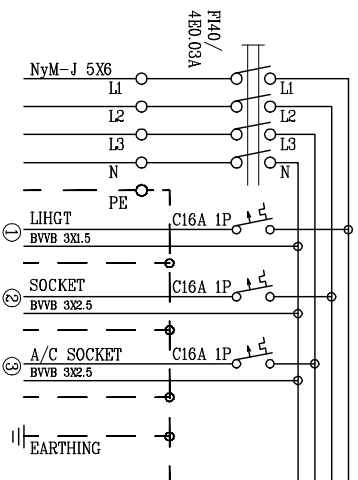


5X380/415V,50Hz, L1,L2,L3 TN-S



TITLE:
MH101 ELECTRICAL DRAWING

OWNED	BY:	SCALE: 1 : 30
DESIGNED	BY: Michael	DATE: 03.10.2010
CHECKED	BY:	WEIGHT:
APPROVED	BY:	QTY.:
MATERIAL:		DRAW NO.: MH101 T01 T01
		ISSUE: